

Testimonials

"Without a doubt, the Brachystand™ mounting apparatus for seed implantation provides the most flexible and stable apparatus for transperineal ultrasound-guided seed implantation that exists today...after a general adjustment, the ability of the Brachystand™ to perform small incremental movements in every conceivable range of motion is invaluable...during seed implantation, the prostate may shift in its position due to bleeding or edema...the micro-adjustments enable the surgeon to make the fine adjustments which only improve the quality of seed implantation."

John C. Blasko, M.D.
Professor of Radiation Oncology
Department of Radiation Oncology
Univ. of Washington Medical Center
Seattle, Washington

"This stabilization device is very easy to use and is a true time saver."

Jay Y. Gillenwater, M.D.
Chairman, Dept. of Urology
University of Virginia
Charlottesville, Virginia

"The Brachystand™ is the best ultrasound stabilization device available."

Haakon Ragde, M.D.
Chairman, Dept. of Urology
Pacific Northwest Cancer foundation
Seattle, Washington

"The Brachystand™ has consistently reduced transducer positioning time while permitting more accurate preplanning and implant image reproducibility."

Paul F. Schellhammer, M.D.
Professor & Chairman
Department of Urology
East Virginia Medical School
Norfolk, Virginia

"The Brachystand™ allows us to readjust our positioning quickly and easily during the implant procedure, to accommodate for the vexing problems of prostate motion and swelling. It has helped improve our implant consistency."

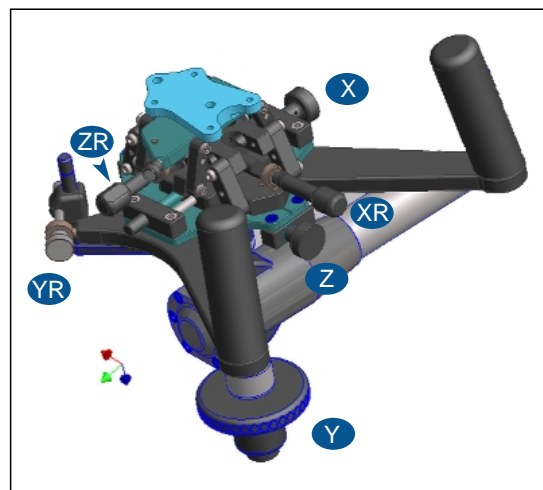
Kent Wallner, M.D.
Veterans Administration, Puget Sound
Associate Professor of Radiation Oncology
University of Washington Medical Center
Seattle, WA

"The quick and rigid immobilization of the ultrasound probe and stepping unit increase the accuracy and greatly reduce the frustration of prostate brachytherapy."

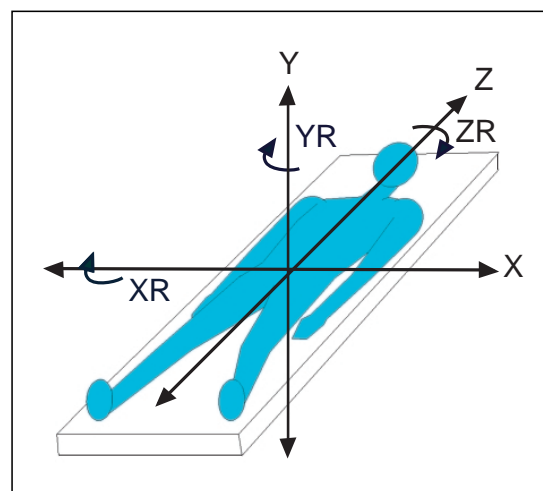
Anthony Zietman, M.D.
Assistant Professor of Radiation Oncology
Harvard Medical School
Massachusetts General Hospital
Boston, MA

Distributed by SeeDOS Ltd
For more information or for a quotation
please contact Colin Walters at :
SeeDOS Ltd, 26, The Maltings
Leighton Buzzard, Bedfordshire LU78BS, UK
Tel : +44 1525 850670 Fax : +44 1525 850685
Email : cwalters@seedos.com

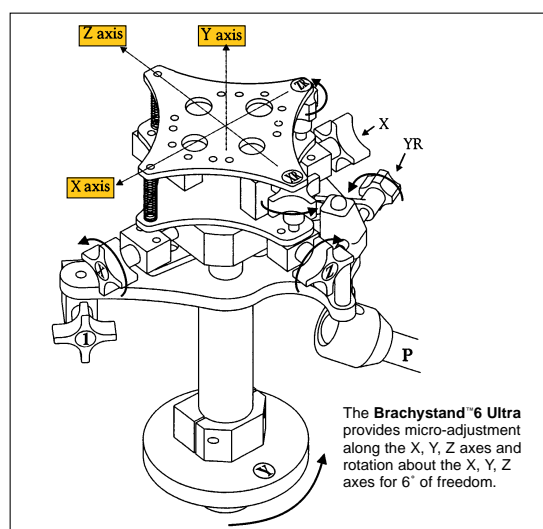
Micro-Touch Fine Adjustment Mechanism



Fine Adjustment Coordinate System



Brachystand™ 6 Ultra Fine Adjustment Mechanism



For More Information Contact:

SeeDOS Ltd

BR-01/OCT 10, 2000

Brachytherapy

Precision Equipment Makes A Difference!

Brachystand™, Brachystepper™ and Accessories

From The Brachyware™ Line of Products



Distributed by SeeDOS Ltd

Brachystand™ Stabilizers

For accurate dosimetry and effective brachytherapy, the Brachystand™ has several important advantages over competing devices:

First: Freehand Manipulation

Most competing stands are "post-insertion" probe fixation devices wherein the probe is first inserted into the rectum, properly oriented and only then fixed to the stand. This inevitably leads to a loss of orientation of the probe.

The Brachystand™ is a "pre-insertion" fixation device. The probe is first attached to the Brachystand™, released to its omni directional manual mode and then inserted into the rectum. It can then be manipulated "freehand" and fixed instantly in any desirable position.

Second: Independent Micro Adjustment

Other stands have limited fine adjustment capabilities so that movement in one or more axes is clumsy, inaccurate or risks significant loss of orientation in other axes.

Brachystands™ allow for precise and independent micro-adjustment to reach an ideal orientation and starting position.

Third: Versatility & Flexibility

Other stands are heavy or spatially awkward. Brachystands™ are small, light, easy to maneuver and may be used with a combination floor stand (B6 only) and table mounting (Figure C) or fully table-mounted configurations (Figure D).

Fourth: Bladder Neck Positioning

Both the Brachystand™ Micro-Touch and the Brachystand™ 6 Ultra allow for any stepping unit to be properly "zeroed" at the bladder neck and to be continually repositioned should the prostate swell during implantation.



Features & Benefits

- **User adjustable weight assist mechanism**

Allows each clinician to "dial in" his/her own preferred weight and feel for maximum ease of use.

- **"Pre-Insertion" free hand probe loaded manipulation**

Enables rapid optimization of gland to probe position, speeding initial mid-gland set up.

- **Single point locking mechanism**

Provides intuitive means to quickly and easily lock stabilizer position without loss of probe position.

- **A fine adjustment mechanism which provides independent millimeter control of probe movement and rotation in and about the X, Y, and Z axes (See fig.1)**

This reduces the time of set-up and allows for repositioning during the case to counter gland movement due to bleeding or swelling.

New! Brachystand™ Micro-Touch

Engineered and designed to set the new GOLD standard for Brachytherapy positioning and stabilizing systems.

The Brachystand™ Micro-Touch has improved on the flexibility and fine adjustment capabilities of our now classic Brachystand™ 6 Ultra and has a completely new super-stable single-arm fixation method with a single point locking mechanism and an adjustable weight-assist feature which allows the user to achieve a weightless feel to the entire system.

- **Precision quick connect system**

Speeds system assembly and dis-assembly. "No Tools Required"

- **Strong and light weight**

Easy to handle, store and transport

- **Single arm design**

Minimum space requirements allowing clinician maximum access to treatment region and achieves great overall stability

- **Adjustable table mount system**

Speeds set-up and adapts to most tables

- **Probe centered rotation.**

Purer axial rotational movement during fine adjustment

- **Ergonomic dual handle control**

Improved control of initial positioning and gross adjustments

The Brachystand™ Can Be Matched With:

The Brachystepper™ for B-K, Hitachi, Siemens, Kretz, Aloka, Shimadzu and other stepping devices such as the B-K UA-1084.

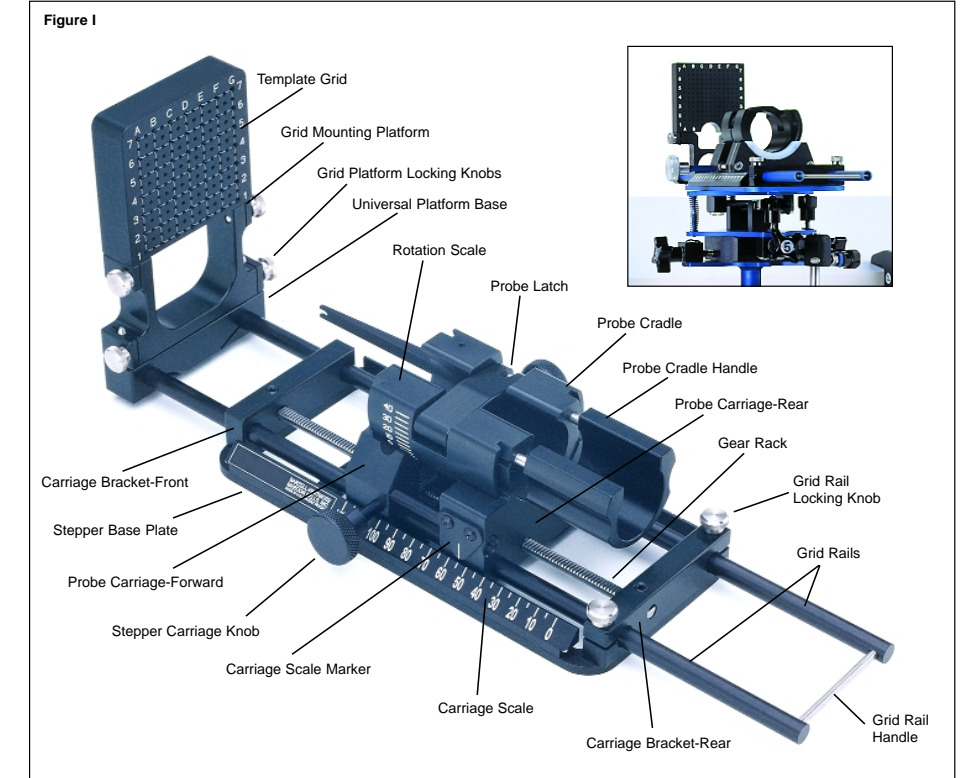
The Brachystepper™

The Brachystepper™ is a lightweight, state-of-the-art, precision stepping device which is ideally matched to the Brachystand™, and through a modular design system is adaptable to a variety of transrectal ultrasound probes (see Figure I).

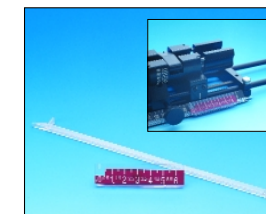
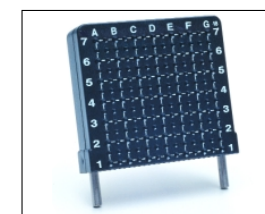
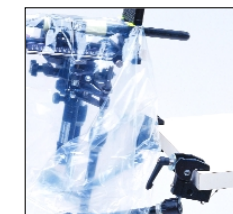
Features

1. Firm and positive stepping function with large knobs and easy-to-read carriage scales from either side by both surgeon and assistant.
2. Secure centerline detent featuring smooth 90° clockwise and counter-clockwise rotation with easy-to-read marking scales from either side.
3. A unique feature that allows the probe to be rotated out of the stepper and replaced without loss of position during a procedure in case of unexpected gas or stool in the rectum.
4. Grid movement independent of the ultrasound probe controlled from a convenient backside location.
5. Open configuration and easy separability of components allowing for convenient cleaning and maintenance.

Brachystepper™ : A Precision Stepping Device



New Disposables



Brachydrap™

Sterile disposable drape for use during prostate Brachytherapy.

- Pre-sterilized single-use disposable drape.
- Easy to apply, easy to see through, and easy to handle.
- Achieves a broad sterile field for implantation after setup.
- Allows for sterile manipulation of the Brachystepper™ and Brachystand™ during the implant procedure.
- Covers the Brachytherapy instruments saving of clean-up and prep time.

Brachygrid™

State of-the-art disposable template grid for use during prostate Brachytherapy.

- Pre-sterilized, single use disposable template.
- Guaranteed sterile.
- No risk of retained Bio-burden or residual chemical contamination.
- No messy labor intensive hand cleaning, soaking, and re-sterilizing.
- Instantaneous availability (no waiting for processing).
- Bold easy-to-read "low light" graphics and precise hole alignment (eliminates the risk of deterioration over time).
- Low cost: "Less than the cost of one seed."

Brachyscale™

Operating scale for use during prostate Brachytherapy.

- Provides 12 clearly marked retraction planes from 0 to 6 centimeters at any point along the Brachystepper™ scale.
- Eliminates stepper position calculations and the associated risk of confusion during implantation.
- Snaps to either side of Brachystepper™.
- Bold easy to read "low light" graphics.
- Single use, disposable and adaptable to most Brachysteppers™.

ICS

New Revolutionary Interface Control System.

- Facilitates improved ultrasound image.
- Helps to shape the prostate and control the height of the bottom row.

Classic! Brachystand™ 6 Ultra Features & Benefits

- **Flexible**
Table or Floor Mount
- **Easy to Handle**
Light weight modular design with mobile stand
- **Versatile**
Six independent fine adjustments
- **Value**

Figure A

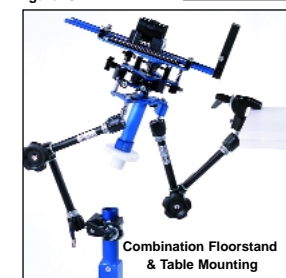


Figure B



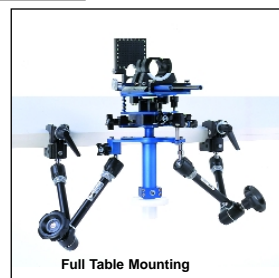
B6 Accessories

Figure C



Combination Floorstand & Table Mounting

Figure D



Full Table Mounting