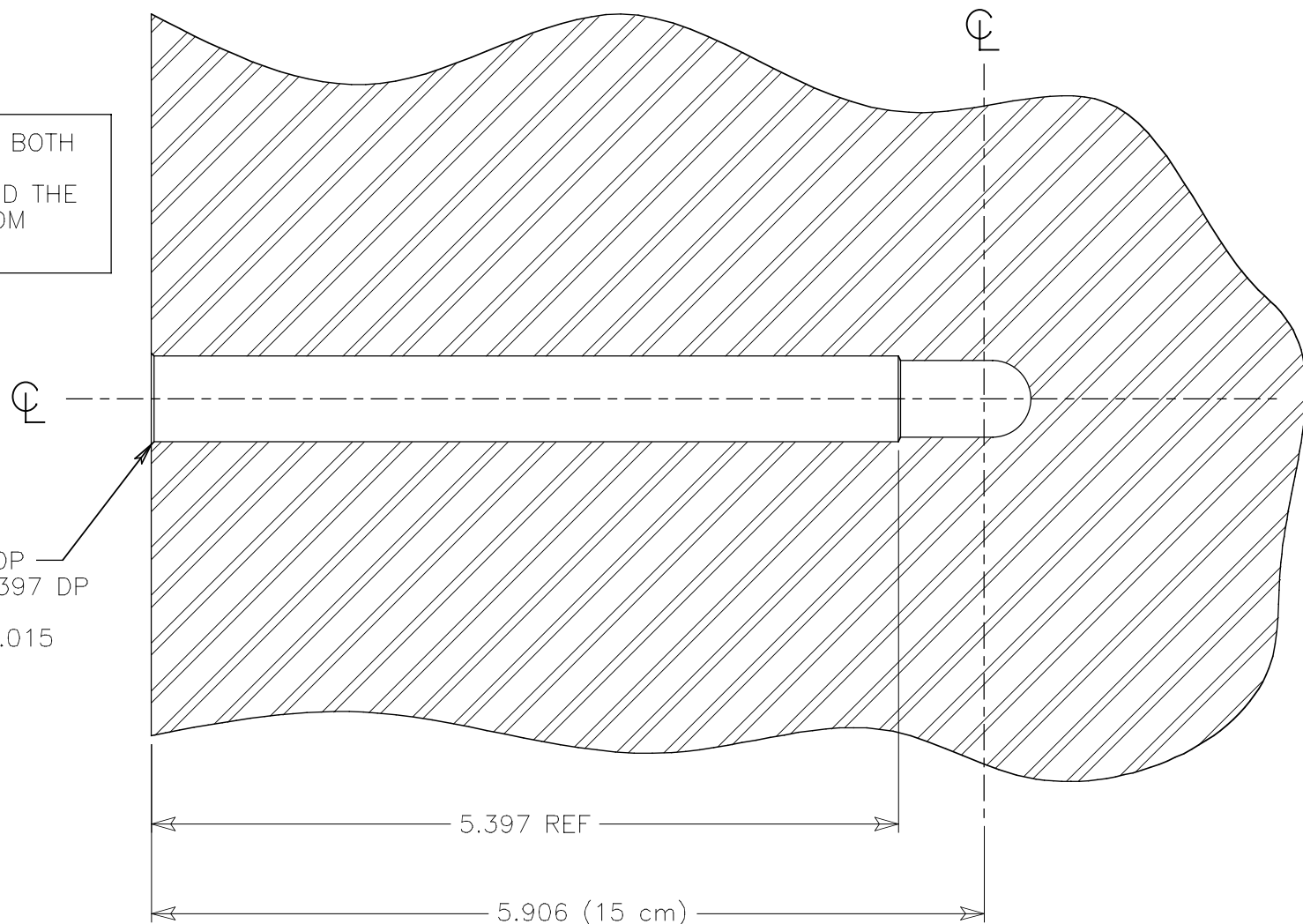


CENTERLINES REFER TO BOTH THE CENTROID OF THE COLLECTING VOLUME AND THE CENTER OF THE PHANTOM BLOCK



0.456 BALL MILL x 6.182 DP
 1/2 DRILL (118° TIP) x 5.397 DP
 0.507 REAMER x 5.397 DP
 CHAMFER CORNER 45° x 0.015

ALL DIMENSIONS IN INCHES AND TOLERANCES OF ± 0.005 UNLESS OTHERWISE NOTED

MATERIAL:
 1. ACRYLIC, POLYSTYRENE, OR
 OTHER; 30 cm x 30 cm

REVISION NO.
 00
 DRAWN BY:
 BDH

**STANDARD
 IMAGING**
 Middleton,
 WI

PRODUCT
 NOTE

DATE 1/7/02
 PAGE 1 OF 1
 NUMBER 4479-00

SeeDOS Ltd
 cwalters@seedos.com
 www.seedos.com

SUBJECT : MODEL 2 PHANTOM BLOCK MACHINING