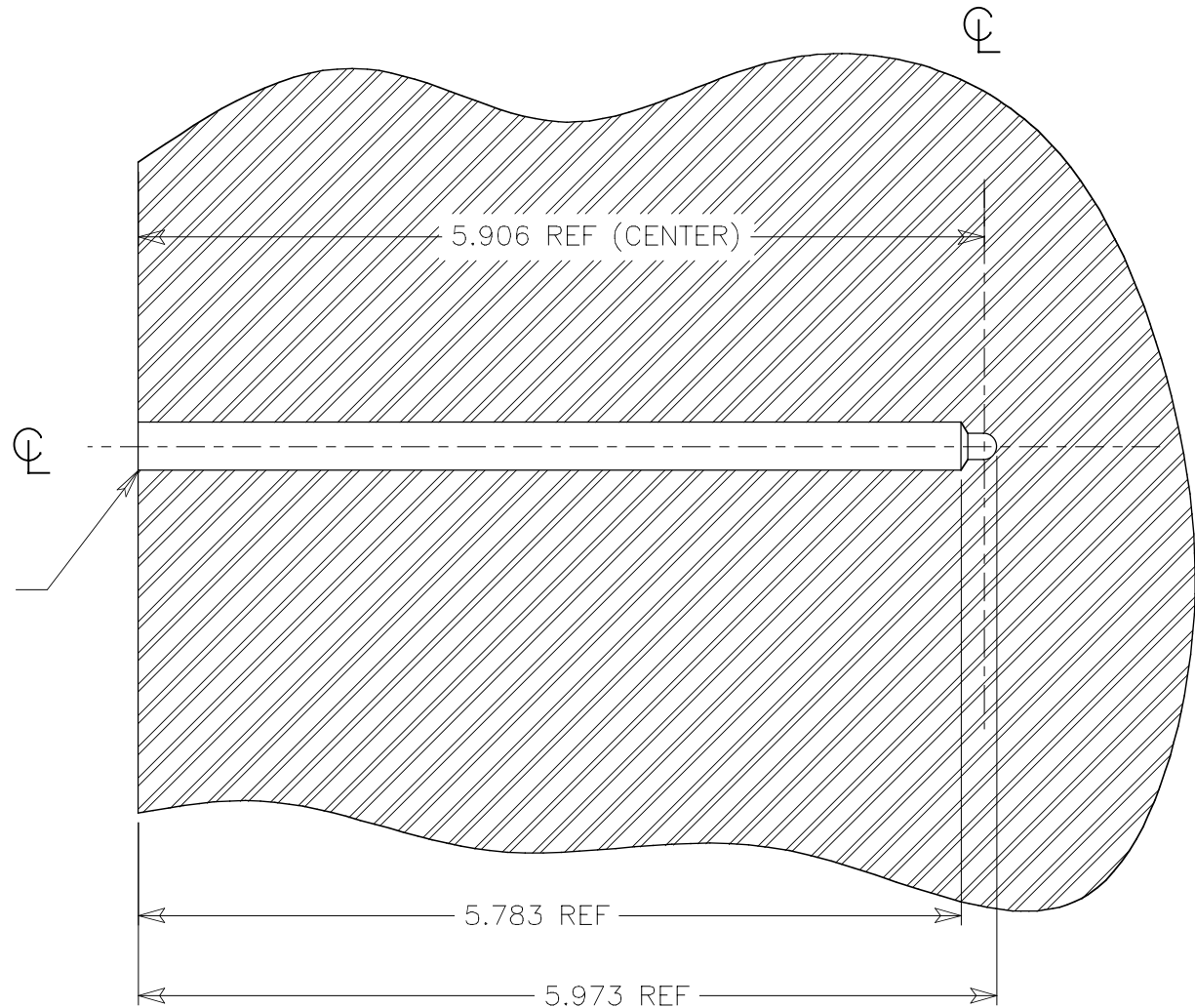


CENTERLINES REFER TO BOTH
THE CENTROID OF THE
COLLECTING VOLUME AND THE
CENTER OF THE PHANTOM
BLOCK



Ø 0.139 ±0.002 BALL NOSE x 5.973 DP
'F' DRILL (118° TIP) x 5.783 DP

ALL DIMENSIONS IN INCHES AND TOLERANCES OF ±0.005 UNLESS OTHERWISE NOTED

MATERIAL:
1. ACRYLIC, POLYSTYRENE, OR OTHER;
30 cm x 30 cm

REVISION NO.

01

DRAWN BY:

BDH

**STANDARD
IMAGING**
Middleton,
WI

PRODUCT
NOTE

DATE

4/24/02

PAGE

1 OF 1

NUMBER

4475-01

SeeDOS Ltd
cwalters@seedos.com
www.seedos.com

SUBJECT : MODEL A16 PHANTOM BLOCK MACHINING