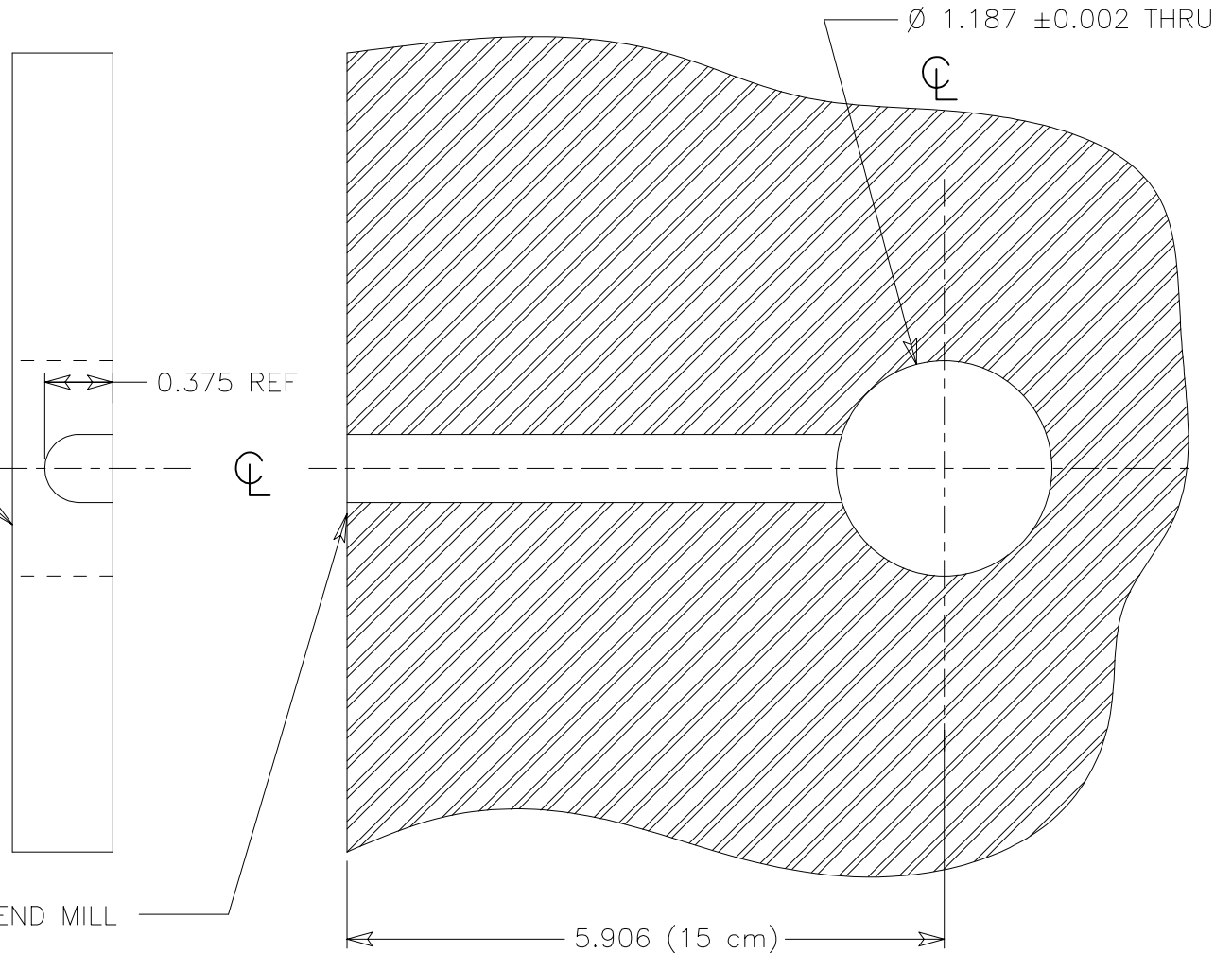


CENTERLINES REFER TO BOTH THE CENTROID OF THE COLLECTING VOLUME AND THE CENTER OF THE PHANTOM BLOCK

TOP OF CHAMBER IS HERE

STEM CHANNEL: 0.375 BALL END MILL
0.375 ± 0.005 DP



**THESE INSTRUCTIONS APPLY TO THE A10s
WHOSE SERIAL NUMBERS ARE GREATER THAN:
SN: XC013001

ALL DIMENSIONS IN INCHES AND TOLERANCES OF ±0.005 UNLESS OTHERWISE NOTED

MATERIAL:
1. ACRYLIC, POLYSTYRENE OR OTHER; 30 cm
x 30 cm x 0.553 ± 0.003 THK

REVISION NO.
01

DRAWN BY:
BDH

STANDARD
IMAGING
Middleton, WI

PRODUCT
NOTE

DATE 12/7/01

PAGE 1 OF 1

NUMBER 4451-01

SeeDOS Ltd
cwalters@seedos.com
www.seedos.com

SUBJECT : MODEL A10 PHANTOM BLOCK MACHINING