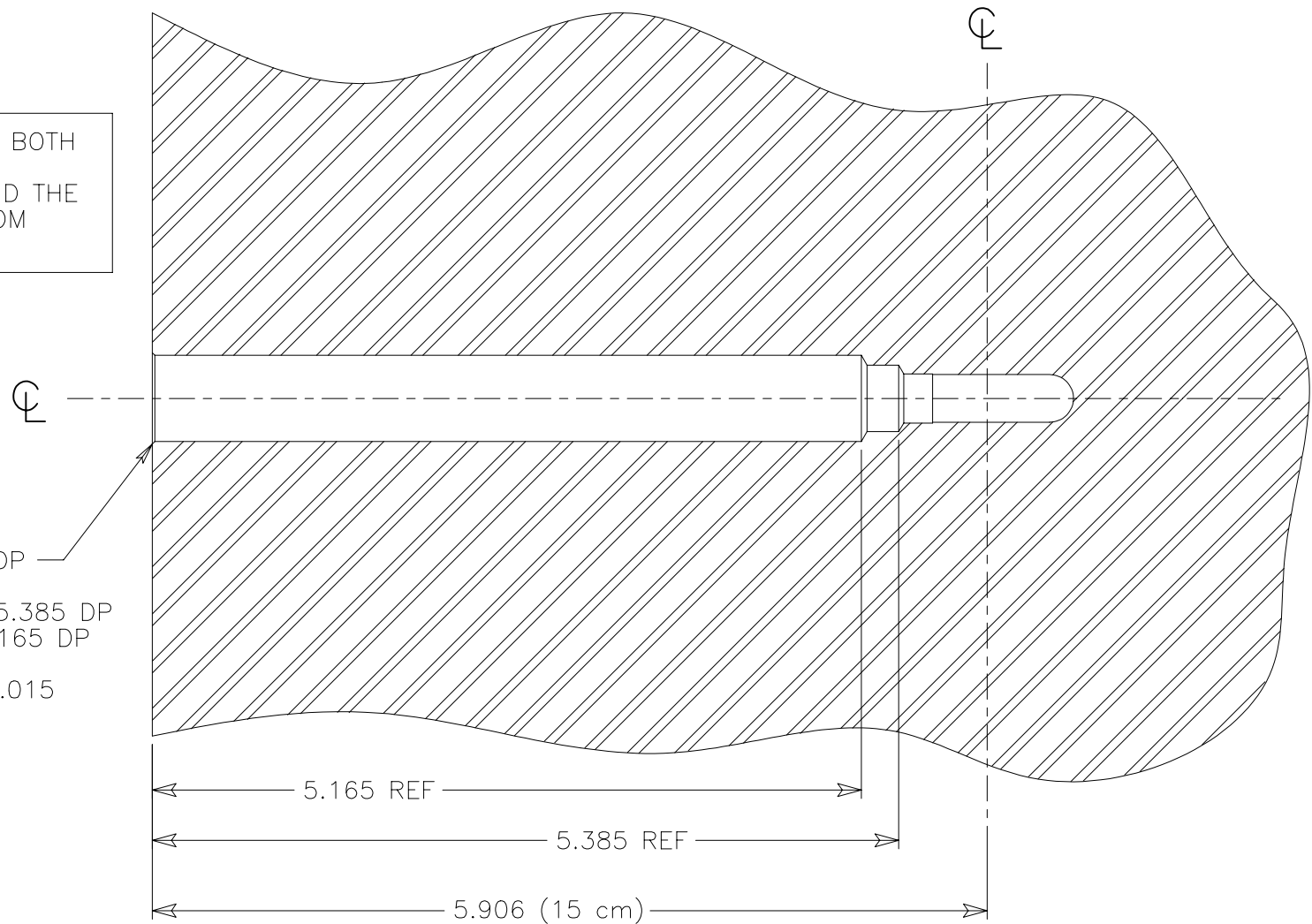


CENTERLINES REFER TO BOTH THE CENTROID OF THE COLLECTING VOLUME AND THE CENTER OF THE PHANTOM BLOCK



- 0.285 BALL MILL x 6.415 DP
- 0.290 REAMER x 5.585 DP
- 0.394 DRILL (118° TIP) x 5.385 DP
- 1/2 DRILL (118° TIP) x 5.165 DP
- 0.507 REAMER x 5.165 DP
- CHAMFER CORNER 45° x 0.015

ALL DIMENSIONS IN INCHES AND TOLERANCES OF ±0.005 UNLESS OTHERWISE NOTED

MATERIAL:
1. ACRYLIC, POLYSTYRENE, OR OTHER; 30 cm x 30 cm

REVISION NO.
02
DRAWN BY:
BDH

STANDARD
IMAGING
Middleton, WI

PRODUCT
NOTE

DATE 12/7/01
PAGE 1 OF 1
NUMBER 4450-02

SeeDOS Ltd
cwalters@seedos.com
www.seedos.com

SUBJECT : MODEL A12 PHANTOM BLOCK MACHINING