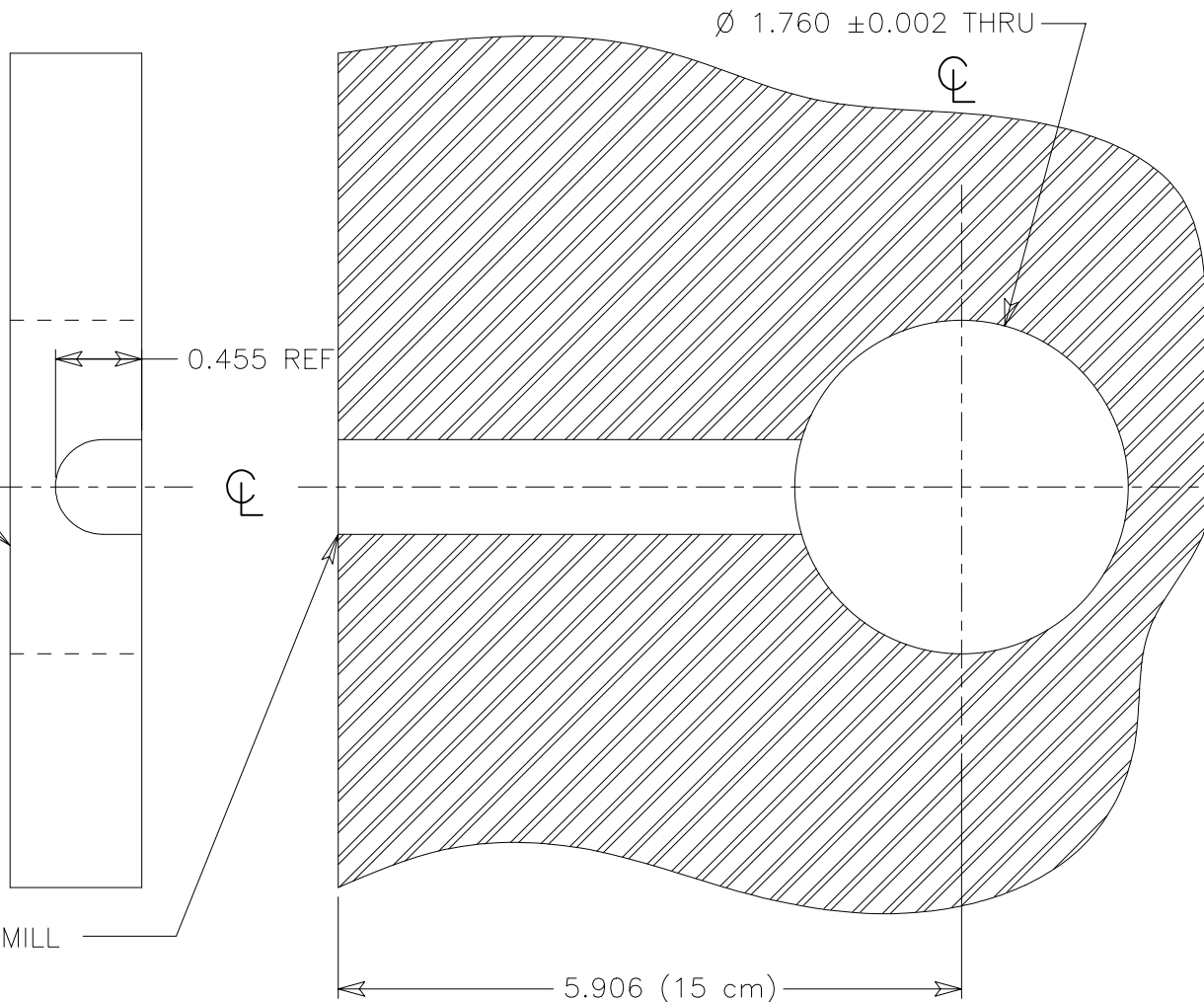


CENTERLINES REFER TO BOTH THE CENTROID OF THE COLLECTING VOLUME AND THE CENTER OF THE PHANTOM BLOCK

TOP OF CHAMBER IS HERE

STEM CHANNEL: 0.500 BALL END MILL
0.455 ± 0.005 DP



**THESE INSTRUCTIONS APPLY TO THE MODELS WHOSE SERIAL NUMBERS ARE GREATER THAN:

- SN: XB013151 (A11)
- SN: XD013151 (P11)
- SN: XE013151 (T11)

ALL DIMENSIONS IN INCHES AND TOLERANCES OF ±0.005 UNLESS OTHERWISE NOTED

MATERIAL:
1. ACRYLIC, POLYSTYRENE OR OTHER; 30 cm x 30 cm x 0.695 ± 0.003 THK

REVISION NO.
02
DRAWN BY:
BDH

STANDARD IMAGING Middleton, WI	PRODUCT NOTE	DATE 12/7/01	SeeDOS Ltd cwalters@seedos.com www.seedos.com
		PAGE 1 OF 1	
		NUMBER 4449-02	

SUBJECT : MODEL 11 and 11TW PHANTOM BLOCK MACHINING