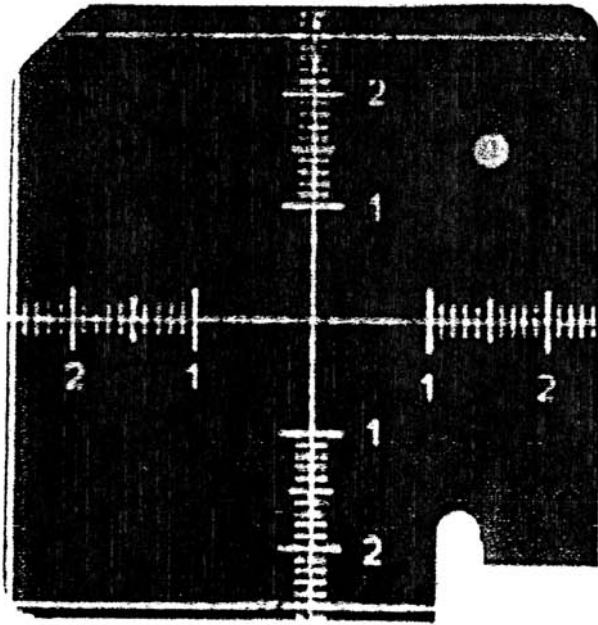


# Digital X-Ray Field Test Tool

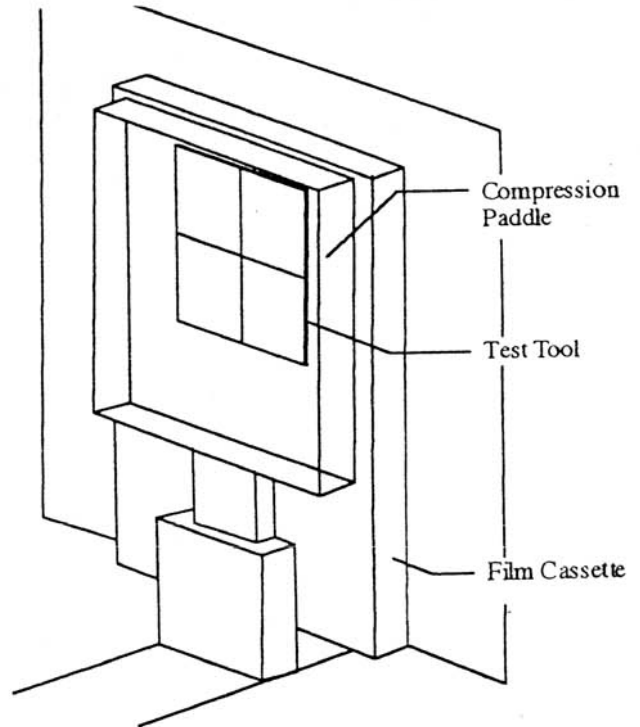
## Quick and Accurate Collimation Assessment of Digital Stereotactic X-Ray Machines

The Digital X-Ray Field Test Tool, Part Number 92265, is designed to allow quick and accurate collimation assessment of digital stereotactic x-ray machines. This tool allows you to evaluate the collimation of the digital image, x-ray image, light field alignment, and compression paddle alignment with one quick and simple test.

Distributed by SeeDOS Ltd



The Digital X-Ray Field Test Tool consists of a copper pattern which provides a  $\pm 5$ cm by  $\pm 5$ cm alignment pattern with 1mm resolution.



The Digital X-Ray Field Test Tool shown mounted between the compression paddle and the film cassette.



Distributed by SeeDOS Ltd  
Please contact Colin Walters at [cwalters@seedos.com](mailto:cwalters@seedos.com)

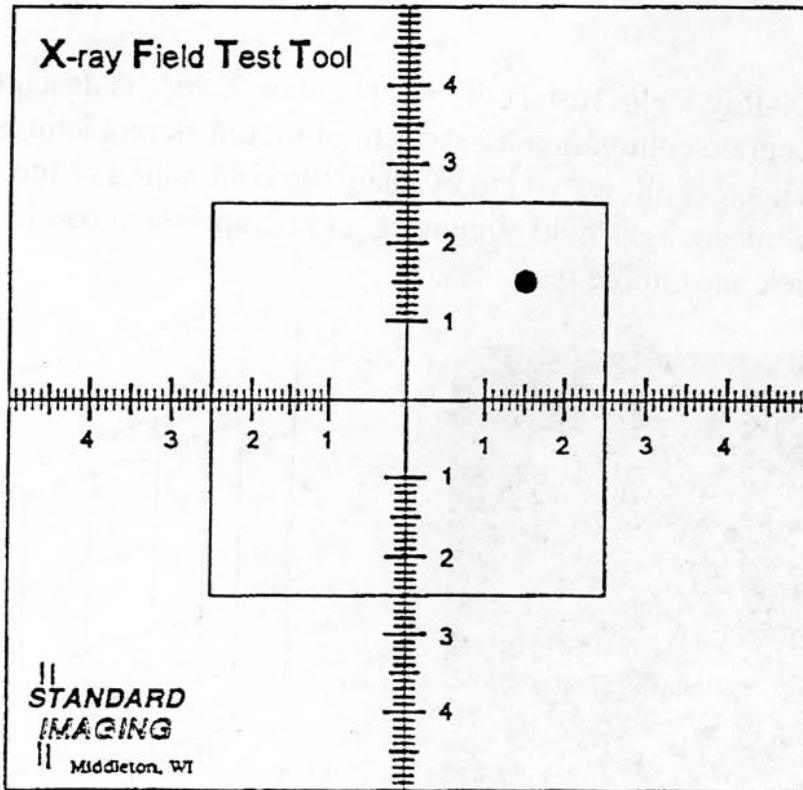


# Digital Stereotactic Collimation Assessment

SID \_\_\_\_\_

## Chest Wall

\_\_\_\_\_ paddle edge  
 \_\_\_\_\_ light  
 \_\_\_\_\_ paddle  
 \_\_\_\_\_ x-ray      light - image \_\_\_\_\_  
 \_\_\_\_\_ image      x-ray - image \_\_\_\_\_



light   paddle   x-ray   image  
 \_\_\_\_\_  
 x-ray - light \_\_\_\_\_  
 light - image \_\_\_\_\_

image   x-ray   paddle   light  
 \_\_\_\_\_  
 x-ray - light \_\_\_\_\_  
 light - image \_\_\_\_\_

\_\_\_\_\_ image      x-ray - image \_\_\_\_\_  
 \_\_\_\_\_ x-ray      light - image \_\_\_\_\_  
 \_\_\_\_\_ paddle  
 \_\_\_\_\_ light

Does x-ray extend more than 2% SID beyond image receptor ?

Is the x-ray field within 5 mm of the image receptor on all sides ?

Is the entire digital detector irradiated ?